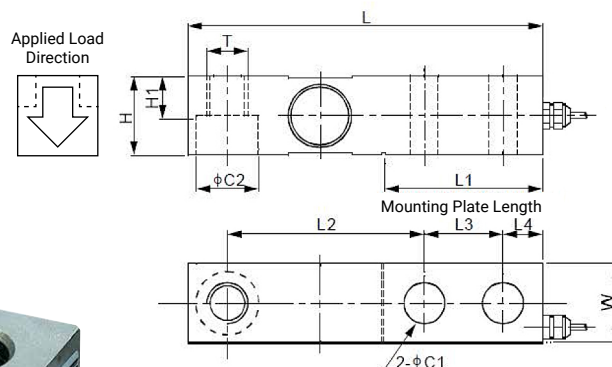


Atrax Shear Beam Load Cells

Precision Shear Beam Load Cells from 500kg to 5,000kg

With international accreditations, robust Atrax shear beam load cells have an extremely long life and are installed in our airport baggage and cargo scales in over 140 countries.



Capacity	Cable
500kg	Ø 5.1mm x 3m
1,000 - 5,000 kg	Ø 5.1mm x 6m

CAPACITY (kg)	DIMENSIONS (mm)										
	C1	C2	H	H1	L	L1	L2	L3	L4	W	Thread
500, 1,000 & 2,000	13.5	20.6	31.8	15.2	130.0	57.2	76.2	25.4	15.8	31.8	M12 x 1.75
2,500 & 5,000	19.8	30.2	38.1	19.1	171.5	76.2	95.3	38.1	19.1	38.1	M18 x 1.5

SPECIFICATIONS	
Rated capacity	500kg to 5,000kg
Full Scale Output	3.0mV/V ± 0.25%
Non repeatability	≤ 0.017%
Zero Balance	± 0.06 mV
Insulation resistance	> 2,000 Mohms at 50 VDC
Compensated temperature range	-10° to 40°C
Operating temperature range	-18° to 65°C
Storage temperature range	-50° to 85°C
Input resistance	375 - 425 Ohms
Output resistance	375 - 425 Ohms
Recommended Excitation Voltage	10 Volts DC
Maximum Excitation Voltage	15 Volts DC
Sideload Rejection Ratio	500:1
Safe overload	150% of rated capacity
Ultimate overload	300% of rated capacity

CABLING		
Red	+	Excitation
Black	-	Excitation
Green	+	Output
White	-	Output
4 Conductor Cable; 22 Awg, Shielded and Jacketed		

FEATURES

- Alloy tool steel
- Robust, long life construction
- Environmentally sealed to IP67

ACCREDITATIONS

- OIML C4 certified
- CE Certificate of Conformity
- NTEP 1:6000 Class III, M
- RoHS
- ISO9001 manufacturing facilities

Rev 09/20

Atrax Group NZ Ltd

Telephone +64 9 634 5337

Email info@atraxgroup.com

www.atraxgroup.com

ATRAX
Weighing and Dimensioning Specialists